

Music streaming with bluetooth receiver

Transfer music apps from your smartphone or tablet to your hifi system.

Simple & power saving

The Bluetooth receiver allows you to stream music directly from a Bluetooth-enabled device and provides a wireless connection between the device and any receiver with AUX input at a distance of up to 11m using Bluetooth 4.0 technology. The connection is easily made via a 3.5mm jack plug.



Bluetooth® profil	A2DP in highest EDR specification
Bluetooth® Chip	4.0 CRS I9chip
Frequency range	20 Hz - 20kHz
Current consumption incl. remote output	<65mA
Voltage/current remote output	+12V DC, max. 20mA
Output voltage	1V RMS
Range	up to 11m
Bitrate	uo to 345 kBit/s
Coding	Low Complexity Subband Codec (SBC)



Assembly instruction
Status: 04.03.2024

Bluetooth-Reciever 68497



TEACH IN THE DEVICE:

- make sure that Bluetooth is turned on on your device
- turn on the ignition/power
- the LED flashes blue (pairing mode)
- select JEHNERT-BT in the Bluetooth menu of your device to connect
- after successful connection, the LED will be on continuously and a single beep will sound over the audio system

OPERATION:

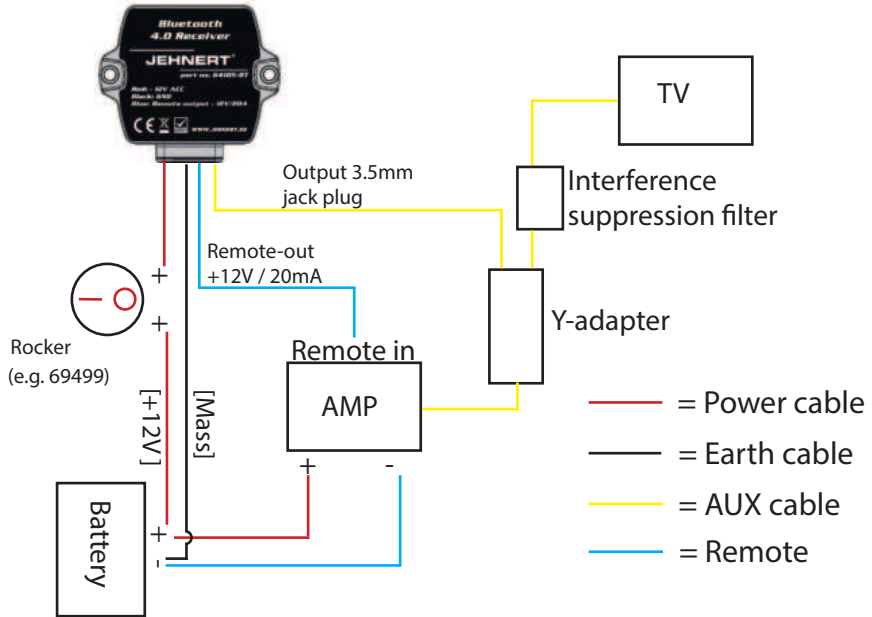
- all settings, such as volume, music selection and play/pause are made on your device
- the Bluetooth module can be installed out of sight, because it has no knobs or buttons that need to be operated

Antenna specifications

Model designation	2.4G ANT1					
Center frequency	Horizontal			Vertical		
	2400MHz	2450Mhz	2500Mhz	2400MHz	2450MHz	2500MHz
	-1,66	-0,84	-0,61	-6,16	-3,65	-2,21
max. gain	-0,61					
Polarization	Horizontal and vertical					
Azimuth Radiation angle	omnidirectional (in all directions)					
Impedanz	1V RMS					

Music streaming with bluetooth receiver

- » sound in best quality
- » easy connection via jack
- » 4.0 Bluetooth technology



NOTICE:

- up to 9 devices can be connected to the Bluetooth module, but only one device can stream music at a time
- the Bluetooth module always remembers the last learned device and connects automatically after power on
- a connection to another device must be done manually, as described above
- if the connected device is out of range for more than one minute, the connection is automatically interrupted and the Bluetooth module goes into pairing mode [the LED flashes].
- can only be used in vehicles and not in continuous operation



Assembly instruction

Status: 04.03.2024

Bluetooth-Reciever 68497



Warranty:

As the manufacturer, we warrant these sound systems for 2 years from the date of purchase from the dealer. Within this warranty period, we will, at our option, repair or replace free of charge all defects that are due to material or manufacturing faults. Excluded from the warranty are damages caused by improper use or installation, wear and tear or interventions by third parties.

The warranty does not cover consequential damage or defects that only insignificantly impair the value or usability of the sound systems.

A warranty obligation is not triggered in the case of damage caused by external influences. Systems with additional or incorrect mounting holes are excluded from exchange. These are damages to the components that cannot be repaired.

If you have any questions, please do not hesitate to contact our team in Pliezhausen:

JEHNERT SOUND DESIGN

»Development and production of car audio systems«

Owner: Hans-Peter Jehnert

Im Michelreis 14

72124 Pliezhausen

Tel.: 07127-93457-0

Fax: 07127-93457-10

sounddesign@jehnert.de

www.jehnert.de

Feel free to follow us on our social media channels:

